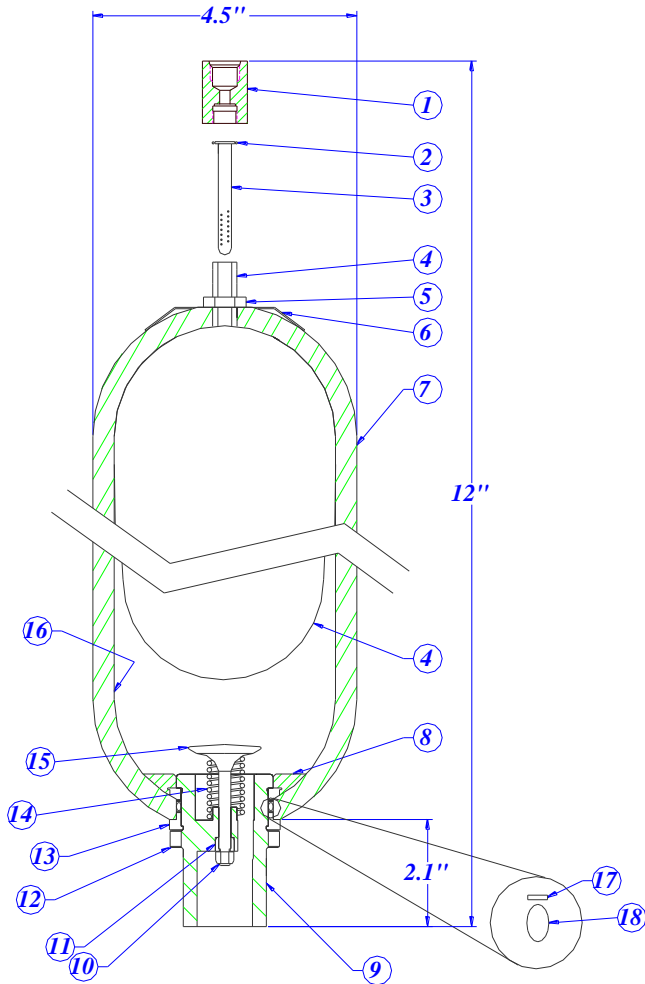


1 Quart 3000 & 5000 psi Transfer Barrier Accumulator



List of Component Parts		Alternate Service ¹		
Description	Part Number (OS)	WS	SS	XS
1	Transfer Barrier Coupler ²	AI-TB-321-C		
2	Transfer Barrier O-Ring	AI-TB-310		
3	Transfer Barrier Tube	AI-TB-320-A		
4	Bladder Kit ³			
	Buna-Nitrile	AI-1QT-TB-3KTT	-SS	-SS
	Butyl	AI-1QT-TB-3KTB	-SS	-SS
	EPR	AI-1QT-TB-3KTE	-SS	-SS
	Fluorocarbon	AI-1QT-TB-3KTV	-SS	-SS
	Hydrin	AI-1QT-TB-3KTH	-SS	-SS
	Low Temp Buna	AI-1QT-TB-3KTL	-SS	-SS
5	Hex Jam Nut	AI-S-305	-SS	-SS
6	Name Plate	AI-1QT-413		
7	Caution Label	AI-1QT-421		
7	Information Label	AI-1QT-414		
8	Anti-Extrusion Ring			
	Buna-Nitrile	AI-1QT-407	-WS	-WS
	EPDM	AI-1QT-407-E	-WS	-WS
	Fluorocarbon	AI-1QT-407-V	-WS	-WS
9	Oil Port ⁴	AI-1QT-402	-WS	-SS
10	Stop Nut	AI-1QT-408	-SS	-SS
11	Piston	AI-1QT-405		
12	Locknut	AI-1QT-403	-WS	-SS
13	Spacer	AI-1QT-406	-WS	-SS
14	Spring	AI-1QT-409		
15	Poppet	AI-1QT-404	-SS	-SS
16	Shell (4000 psi, 5000 psi App 22)	Not for Sale	N/A	N/A
17	Metal Back-Up Ring	AI-1QT-412	-SS	-SS
18	O-Ring			
	Buna-Nitrile	AI-1QT-410		
	EPDM	AI-1QT-410-E		
	Fluorocarbon	AI-1QT-410-V		

Dimensions ⁵	
Part Number	Weight
AIQTTB3100	9.5 lbs
AIQTTB5100	9.5 lbs

Standard Configuration

- SA 372 Chrome-moly Steel Shell
- C-1018, 316 SS and 4130 or 4140 Components
- 1/2" NPT Coupler
- 3/4" NPT Female Fluid Port
- Buna-Nitrile Rubber Components

Optional Configuration (at extra cost)

- Resin Coatings, Internal (WS)
- Electroless Nickel Plating, Internal & External (SS)
- Resin Coating – ID, 3 Part Marine Epoxy Paint – OD (XS)
- Stainless Steel Components
- Foreign and Domestic Codes
- Call Factory for Other Options

Coupler Options

Coupler Type	Designation
3/8" NPT	-A
1/2" NPT	-B
3/4" NPT	-C
1" NPT	-D
1 1/4" NPT	-E
3-Way 1/2" NPT	-F
1/4" NPT	-G
1/2"-20 SAE	-H
3/8" x 3/8" x 1/2" NPT	-I
1/8" NPT	-J
Other	Call

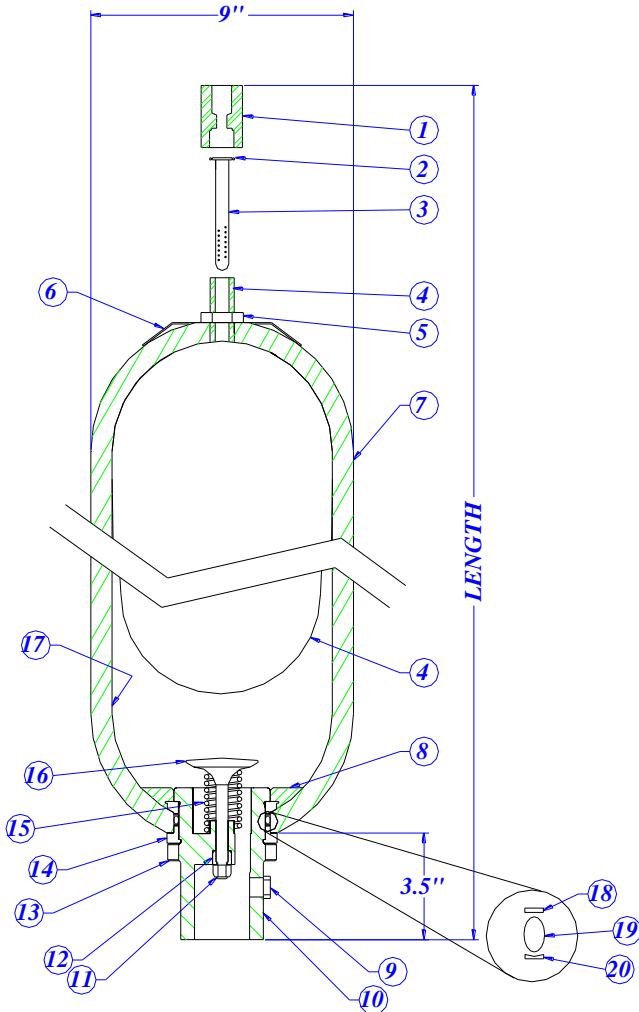
Fluid Port Options

Fluid Port Type	Designation
3/4" NPT Female	None
Metric Female	-2
1 1/16"-12 SAE Female	-3
BSPF Female	-7
Other	Call
Special Materials	Call

1 OS-Oil Service, WS- Water Service, SS-Special Service, XS-Extreme Service
 2 See Coupler Options for options
 3 Bladder kit consists of the following parts: 4, 17 and 18
 4 See Oil Port Configuration for options
 5 Nominal dimensions. Manufacturing variations will occur. Allow +/-2".

1 Gallon 3000 psi Transfer Barrier Accumulator

5000 psi also available. Call factory.



List of Component Parts			Alternate Service ¹		
Description	Part Number (OS)	WS	SS	XS	
1	Transfer Barrier Coupler ²	AI-TB-321-C			
2	Transfer Barrier O-Ring	AI-TB-310			
3	Transfer Barrier Tube	AI-TB-320-C			
4	Bladder Kit ³				
	Buna-Nitrile	AI-1-TB-3KT		-SS	-SS
	Butyl	AI-1-TB-3KT-B		-SS	-SS
	EPR	AI-1-TB-3KT-E		-SS	-SS
	Fluorocarbon	AI-1-TB-3KT-V		-SS	-SS
	Hydrin	AI-1-TB-3KT-H		-SS	-SS
	Low Temp Buna	AI-1-TB-3KT-L		-SS	-SS
5	Hex Jam Nut	AI-S-305	-SS	-SS	-SS
6	Name Plate	AI-1-413			
7	Caution Label	AI-S-421			
8	Anti-Extrusion Ring				
	Buna-Nitrile	AI-1-407	-WS	-WS	-WS
	EPDM	AI-1-407-E	-WS	-WS	-WS
	Fluorocarbon	AI-1-407-V	-WS	-WS	-WS
9	Oil Port ⁴	AI-1-402	-WS	-SS	-SS
10	Stop Nut	AI-1-408	-SS	-SS	-SS
11	Piston	AI-1-405	-SS	-SS	-SS
12	Locknut	AI-1-403	-WS	-SS	-SS
13	Spacer	AI-1-406	-WS	-SS	-SS
14	Spring	AI-1-409	-SS	-SS	-SS
15	Poppet	AI-1-404	-SS	-SS	-SS
16	Shell (3000 psi)	Not for Sale			
17	Metal Back-Up Ring	AI-1-412	-SS	-SS	-SS
18	O-Ring				
	Buna-Nitrile	AI-1-410			
	EPDM	AI-1-410-E			
	Fluorocarbon	AI-1-410-V			
19	Rubber Back-Up Ring	AI-1-411			

Dimensions ⁵	
Part Number	Weights
AITB3100	32 lbs

Coupler Options	
Coupler Type	Designation
³ / ₈ " NPT	-A
¹ / ₂ " NPT	-B
³ / ₄ " NPT	-C
1" NPT	-D
1 ¹ / ₄ " NPT	-E
3-Way ¹ / ₂ " NPT	-F
¹ / ₄ " NPT	-G
¹ / ₂ "-20 SAE	-H
³ / ₈ " x ³ / ₈ " x ¹ / ₂ " NPT	-I
¹ / ₈ " NPT	-J
Other	Call

Fluid Port Options	
Fluid Port Type	Designation
¹ / ₄ " NPT Female	None
Metric Female	-2
¹ / ₈ "-12 SAE Female	-3
Code 61, ¹ / ₂ " SAE Split Flange	-4
BSPP Female	-7
Other	Call
Special Materials	Call

Standard Configuration

SA 372 Chrome-moly Steel Shell
 C-1018 and 4130 or 4140 Components
¹/₂" NPT Coupler
 1 ¹/₄" NPT Female Fluid Port
 Buna-Nitrile Rubber Components

Optional Configuration (at extra cost)

Resin Coatings, Internal (WS)
 Electroless Nickel Plating, Internal & External (SS)
 Resin Coating – ID, 3 Part Marine Epoxy Paint – OD (XS)
 Stainless Steel Components
 Foreign and Domestic Codes
 Call Factory for Other Options

¹ OS-Oil Service, WS- Water Service, SS-Special Service, XS-Extreme Service

² See Coupler Options for options

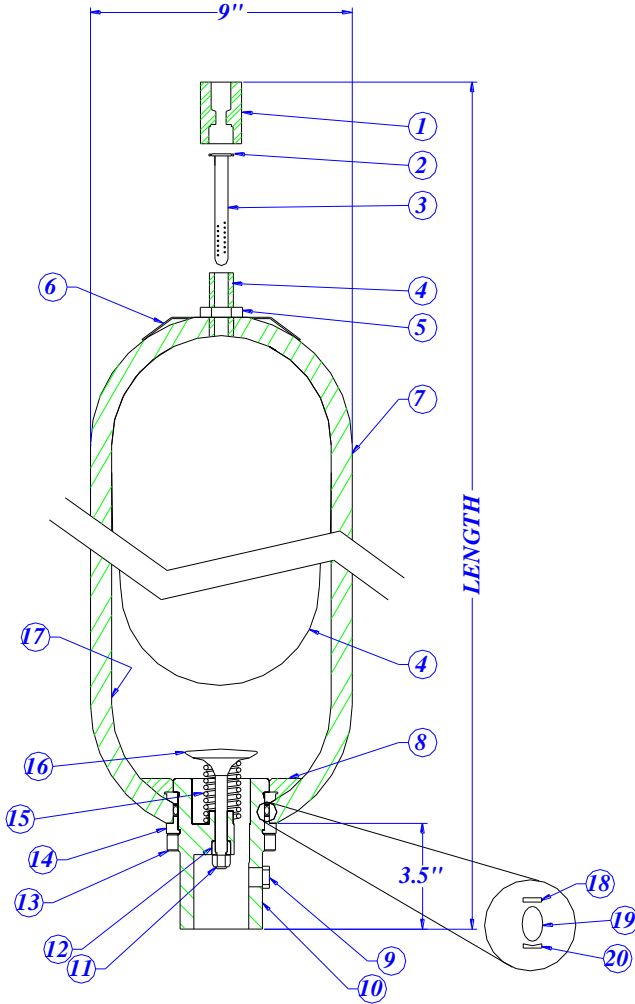
³ Bladder kit consists of the following parts: 4, 17, 18, and 19

⁴ See Oil Port Configuration for options

⁵ Nominal dimensions. Manufacturing variations will occur. Allow [±]0.2".

2.5-15 Gallon 3000 psi Transfer Barrier Accumulator

6000 psi also available. Call factory.



List of Component Parts		Alternate Service ¹		
Description	Part Number (OS)	WS	SS	XS
1 Transfer Barrier Coupler ²	AI-TB-321-C			
2 Transfer Barrier O-Ring	AI-TB-310			
3 TB Tube 2.5-5 Gal., 10-15 Gal.	AI-TB-320-A, -B			
4 Bladder Kit ³				
Buna-Nitrile	AI-1-TB-3KT		-SS	-SS
Butyl	AI-1-TB-3KT-B		-SS	-SS
EPR	AI-1-TB-3KT-E		-SS	-SS
Fluorocarbon	AI-1-TB-3KT-V		-SS	-SS
Hydrin	AI-1-TB-3KT-H		-SS	-SS
Low Temp Buna	AI-1-TB-3KT-L		-SS	-SS
5 Hex Jam Nut	AI-S-305	-SS	-SS	-SS
6 Name Plate	AI-1-413			
7 Caution Label	AI-S-421			
8 Anti-Extrusion Ring				
Buna-Nitrile	AI-1-407	-WS	-WS	-WS
EPDM	AI-1-407-E	-WS	-WS	-WS
Fluorocarbon	AI-1-407-V	-WS	-WS	-WS
9 Bleed Plug NPT, SAE	AI-S-418, AI-S-419	-SS	-SS	-SS
10 Oil Port ⁴	AI-1-402	-WS	-SS	-SS
11 Stop Nut	AI-1-408	-SS	-SS	-SS
12 Piston	AI-1-405	-SS	-SS	-SS
13 Locknut	AI-1-403	-WS	-SS	-SS
14 Spacer	AI-1-406	-WS	-SS	-SS
15 Spring	AI-1-409	-SS	-SS	-SS
16 Poppet	AI-1-404	-SS	-SS	-SS
17 Shell (3000 psi)	Not for Sale			
18 Metal Back-Up Ring	AI-1-412	-SS	-SS	-SS
O-Ring				
Buna-Nitrile	AI-1-410			
EPDM	AI-1-410-E			
19 Fluorocarbon	AI-1-410-V			
Rubber Back-Up Ring	AI-1-411			

Dimensions ⁵		
Part Number	Length	Weights
A2.5TB3100	21"	78 lbs
A5TB3100	33"	118 lbs
A10TB3100	54"	214 lbs
A11TB3100	60"	232 lbs
A15TB3100	78"	298 lbs

Coupler Options	
Coupler Type	Designation
³ / ₈ " NPT	-A
¹ / ₂ " NPT	-B
³ / ₄ " NPT	-C
3-Way ¹ / ₂ " NPT	-F
¹ / ₄ " NPT	-G
¹ / ₂ "-20 SAE	-H
³ / ₈ " x ³ / ₈ " x ¹ / ₂ " NPT	-I
¹ / ₈ " NPT	-J
Other	Call

Fluid Port Options	
Fluid Port Type	Designation
¹ / ₄ " NPT Female	None
Metric Female	-2
¹ / ₈ "-12 SAE Female	-3
Code 61, 2" SAE Split Flange	-4
BSPF Female	-7
Other	Call
Special Materials	Call

Standard Configuration

SA 372 Chrome-moly Steel Shell
 C-1018 and 4130 or 4140 Components
¹/₂" NPT Coupler
 2" NPT Female Fluid Port
 Buna-Nitrile Rubber Components

Optional Configuration (at extra cost)

Resin Coatings, Internal (WS)
 Electroless Nickel Plating, Internal & External (SS)
 Resin Coating – ID, 3 Part Marine Epoxy Paint – OD (XS)
 Stainless Steel Components
 Foreign and Domestic Codes
 Call Factory for Other Options

¹ OS-Oil Service, WS- Water Service, SS-Special Service, XS-Extreme Service
² See Coupler Options for options
³ Bladder kit consists of the following parts: 4, 17, 18, and 19
⁴ See Oil Port Configuration for options
⁵ Nominal dimensions. Manufacturing variations will occur. Allow +/- .2"